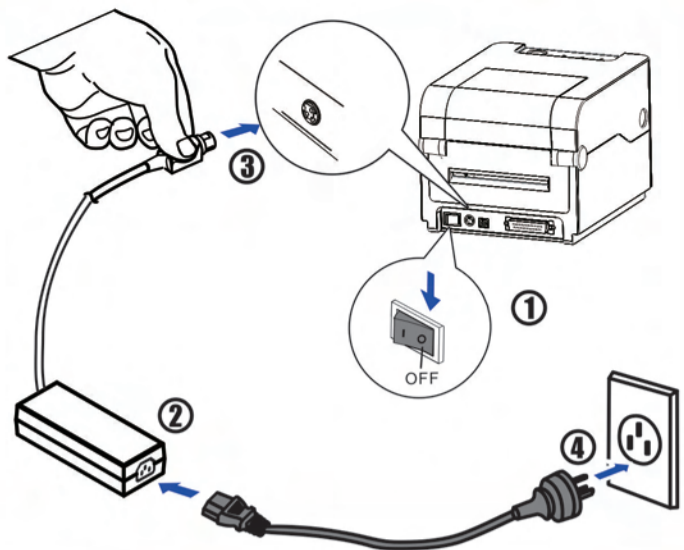
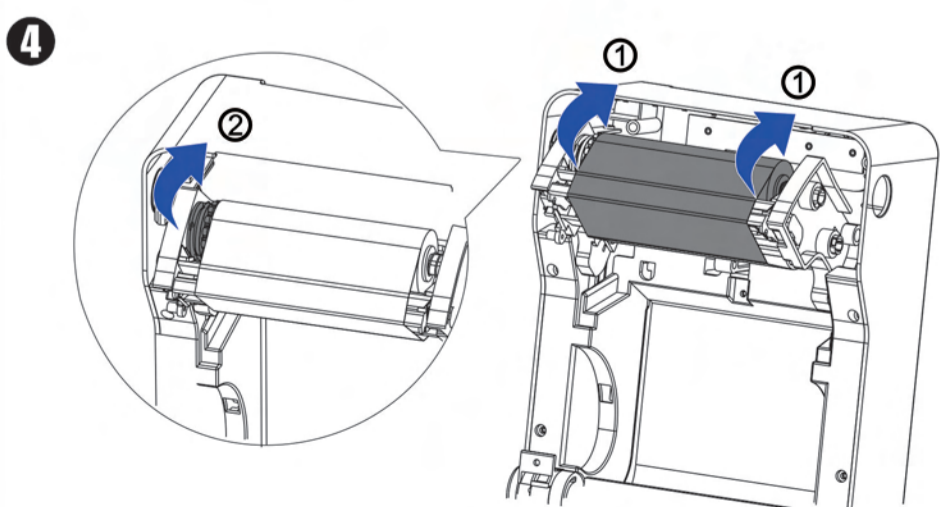
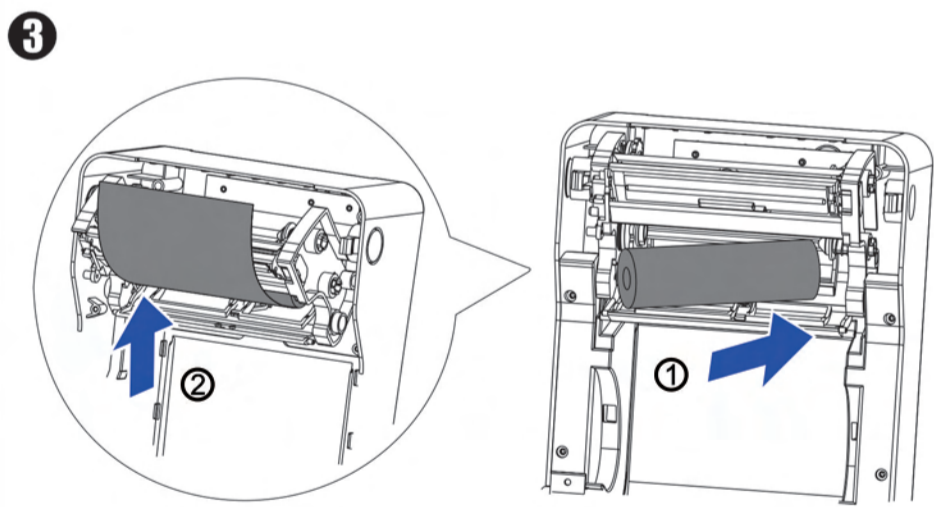
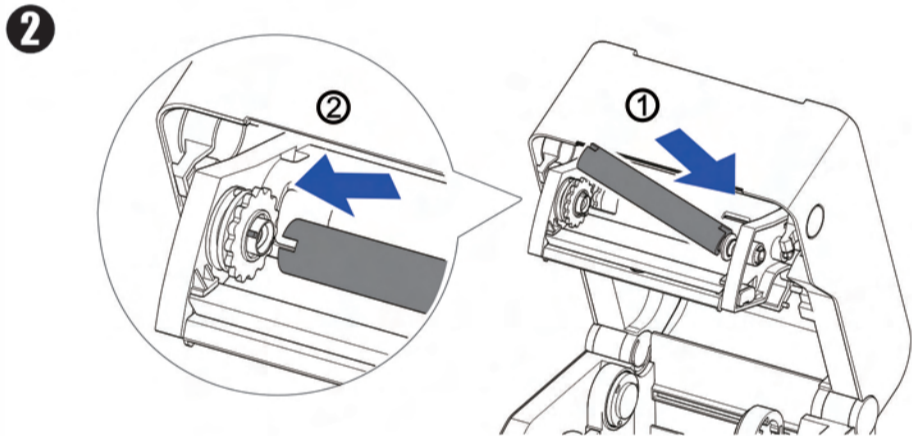
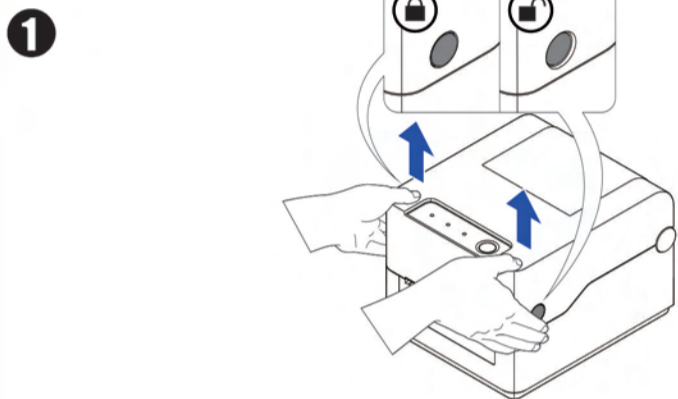


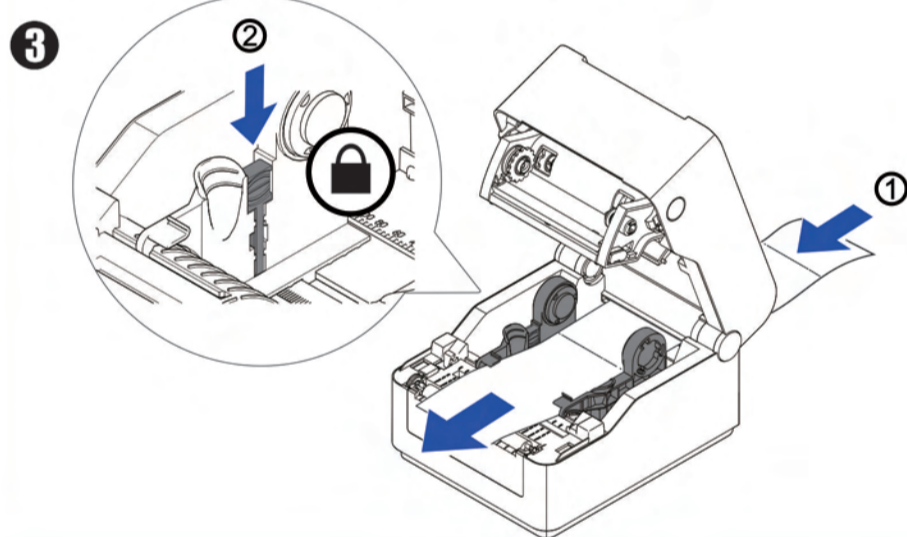
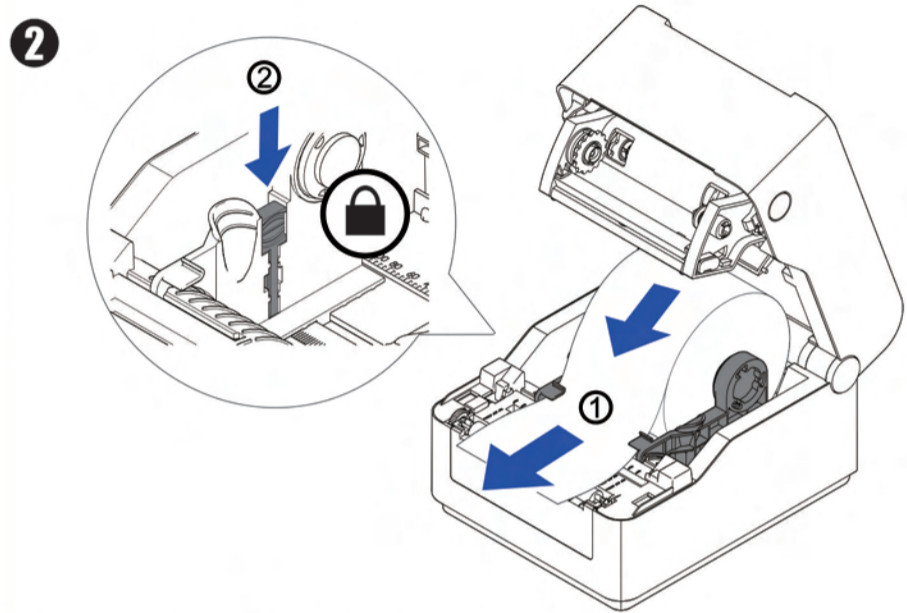
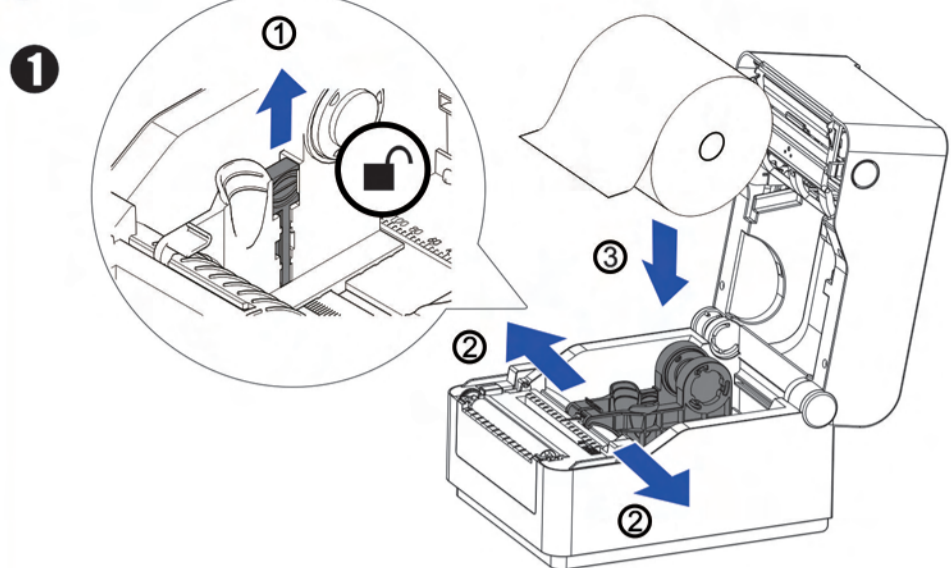
# 1 Power



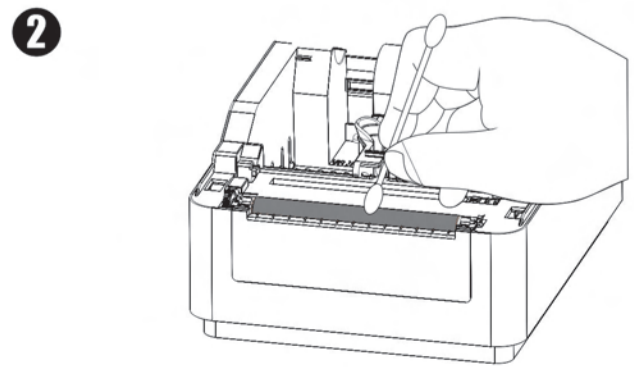
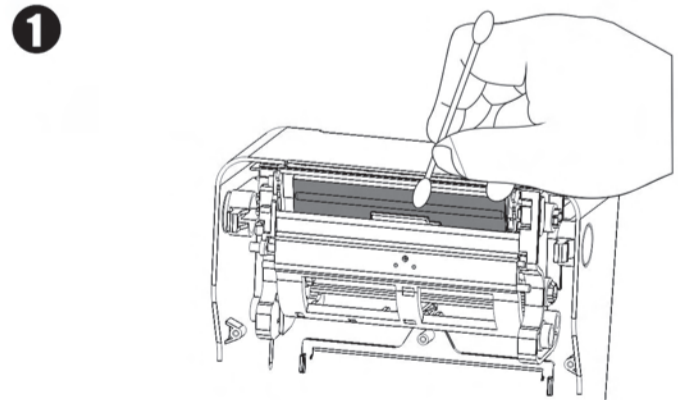
# 2 Ribbon



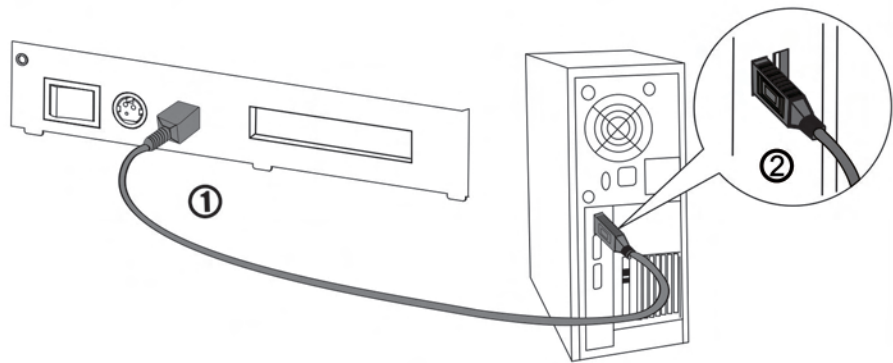
# 3 Media



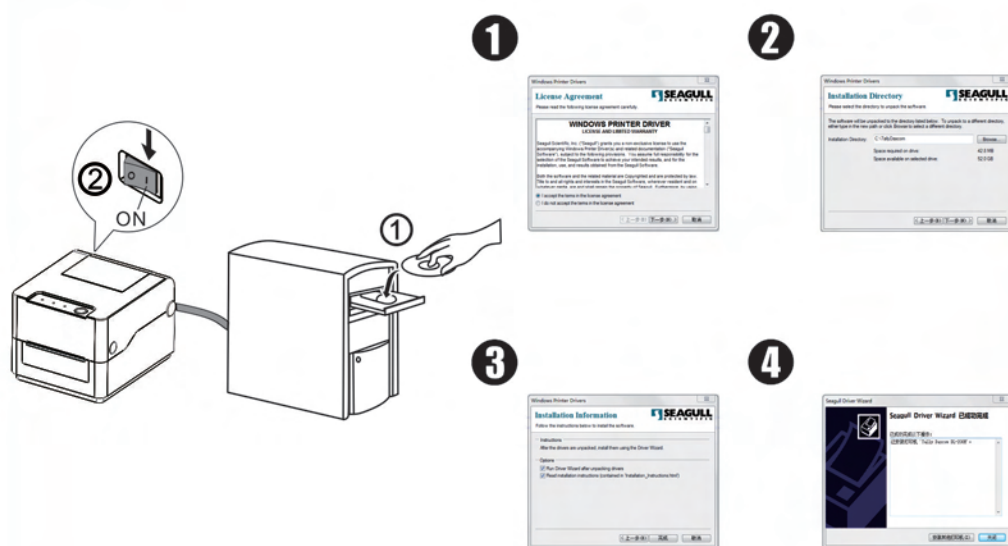
# 4 Cleaning



## 5 Interfaces



## 6 Driver



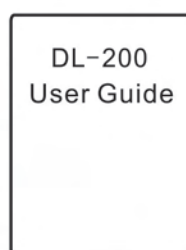
## 7 Questions



A.



CD-ROM



B. <http://www.dascom.com>

# DL-200 Installation Guide

**Tally**  
**DASCOM**

EN

### Installation Guide

Read the following instructions thoroughly before starting up your printer. For detailed information and safety recommendations, refer to the User Guide on the CD-ROM.

GE

### Installationshandbuch

Lesen Sie bitte diese Hinweise durch bevor sie den Drucker in Betrieb nehmen. Ausführliche Informationen und Sicherheitsempfehlungen finden Sie im User Guide auf der CD-ROM.

FR

### Guide d'installation

Lire attentivement les instructions suivantes avant de mettre l'imprimante en service. Pour plus d'informations et des recommandations concernant la sécurité, reportez-vous à l'User Guide sur le CD-ROM Online.

IT

### Guida di installazione

Prima di mettere in funzione la stampante, leggere attentamente le seguenti indicazioni. Per informazioni dettagliate e suggerimenti sulla sicurezza consultare il manuale User Guide sul CD-ROM online.

SP

### Guía de instalación

Lea las siguientes instrucciones detenidamente, antes de poner la impresora en servicio. Para obtener información detallada y recomendaciones sobre seguridad, consulte la Guía del Usuario en la documentación incluida en el CD-ROM.

RU

### Руководство по установке

Прочитайте, пожалуйста, инструкцию по технике безопасности перед включением в работу принтера. Подробная информация и инструкция по технике безопасности Вы найдете в руководстве пользователя на CD-ROM.

PT

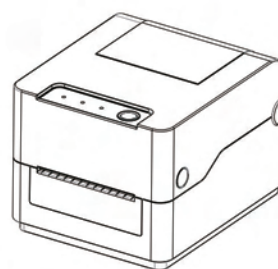
### Manual de instalação

Leia as instruções deste produto antes de usar a impressora. Para obter informações de segurança, consulte o Guia do Usuário e o CD-ROM da impressora.

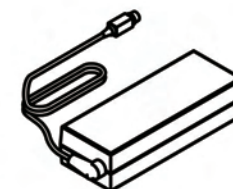
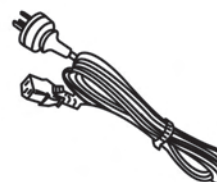
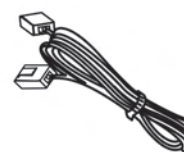
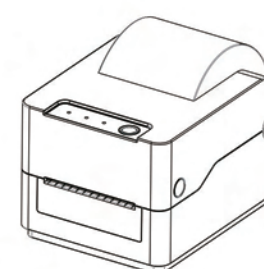
TR

### Kurulum kılavuzu

Yazıcınızı çalıştırmadan önce, aşağıda belirtilen talimatların hepsini okuyunuz. Detaylı bilgi ve güvenli çalışma tavsiyeleri için, CD-ROM üzerinde bulunan kullanım kılavuzuna başvurunuz.



or



### DASCOM REPRESENTATIVES:

DASCOM Europe GmbH, Heuweg 3, D-89079 Ulm, Germany  
DASCOM GB Ltd, Hart House, Priestley Road, Basingstoke, Hampshire, RG24 9PU, England  
DASCOM AP Pte Ltd, 21 Bukit Batok Crescent, #29-81, WCEGA Tower, Singapore 658065  
DASCOM Americas Corporation, 34 Lakeview Court Verona, VA 24482, USA

Copyright © 2016 Dascom

[www.dascom.com](http://www.dascom.com)

21. 511. 907. 0020R