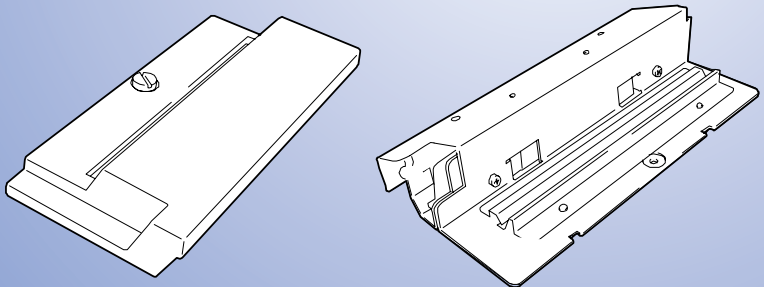




Installation and
User Guide

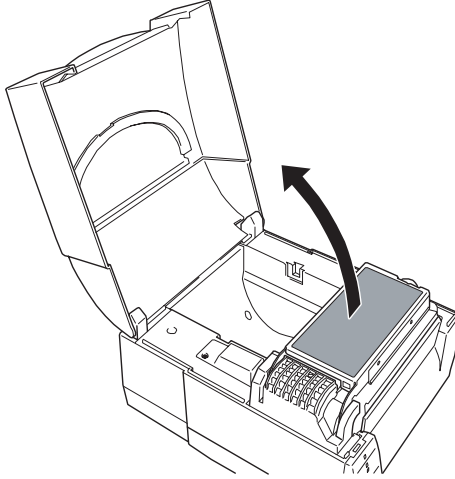
7106 7206
Auto Cutter



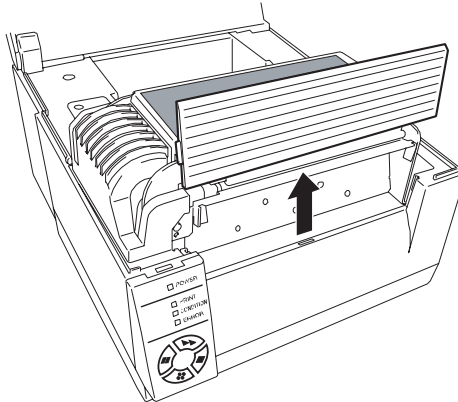
Installation Guide

Installing the cutter stand unit

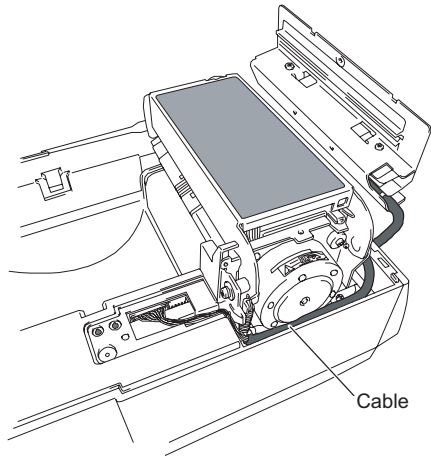
- (1) Check to make sure that the printer's power switch is turned off, then disconnect the power cord.
- (2) Open the top cover.



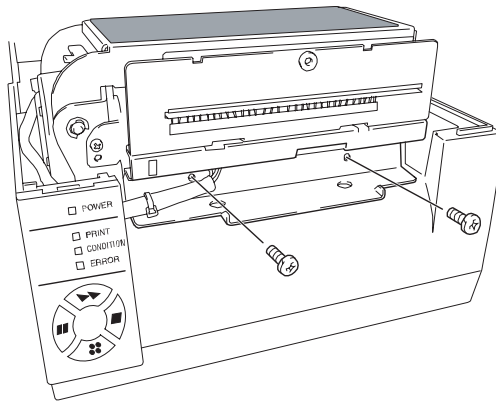
- (3) Lift and remove the front cover from the printer. (Keep the removed cover in a safe place, because it is used when the auto cutter has been removed.)



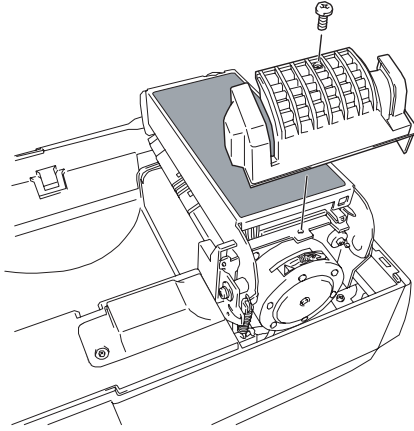
- (7) Feed the cable, in 6, so that it lies along the printer's case. When replacing the connector cover and the motor cover, take care that the covers do not pinch the cable.



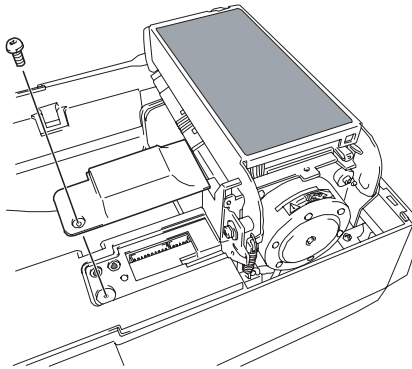
- (8) Set the cutter-stand-unit to the front of the printer with the screw (2) provided.



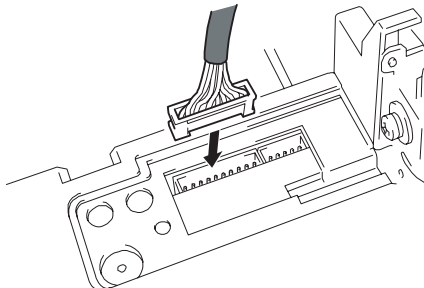
- (4) Remove the screw (1) fastening the motor cover, and then lift and remove the motor cover. Take care that the screw does not fall inside the printer chassis.



- (5) Remove the screw (1) fastening the optional unit connector cover, and then remove the optional unit connector cover.

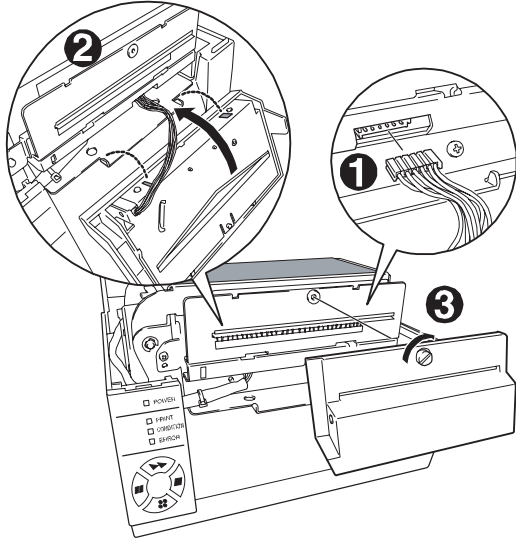


- (6) Plug the connector of the cutter-stand-unit cable into the optional connector on the printer.



Installing the cutter unit

- (9) Plug the connector of the cutter-unit cable into the connector on the cutter stand unit.
- (10) Align the indentations (2) at the bottom of the cutter unit with the protrusions (2) on the cutter stand unit, and then fasten the slotted head screw on the cutter unit with a flat-blade screwdriver. Take care that the cutter unit does not pinch the cable.
- (11) After the cutter unit is installed, reinstall the motor cover and the optional unit connector cover on the printer.



Note

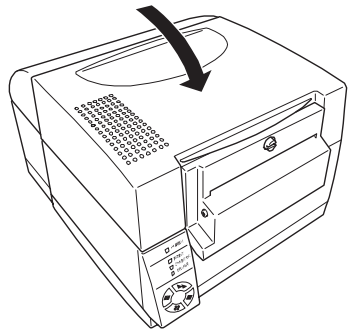
Be very careful as the motor may be hot.

- (12) Close the top cover.
- (13) Connect the power cord and turn on the power switch of the printer.

Note

Removing the cutter unit

To remove the cutter unit from the printer, follow the installation steps in reverse order. Hold the end of the cutter unit by your hand in order that the cutter unit does not fall from the printer when removing the fastening screw.



User Guide

Contents

Notice	8
SAFETY SIGNS that must be strictly observed!	10
1. Function	11
2. Main specifications of auto-cutter	11
3. Checking items inside the accessory box	12
4. Auto-cutter settings	13
5. Cut position	14
6. Cut settings	15
7. Auto cut-length detection	16
8. User maintenance	17
9. Troubleshooting	18

Notice



1. Before use, be sure to read this manual and understand. And keep it handy for reference when needed.
2. Do not handle, disassemble or repair any parts other than those specified in this manual.
3. The contents of this manual may be changed without prior notice.
4. Reproduction, transfer or transmission of the contents of this manual without prior consent is strictly prohibited.
5. We are not liable for any damage resulting from the use of this manual, regardless of omissions, errors or misprints.
6. We are not liable for any problems resulting from the use of optional products or consumable supplies other than those specified in this manual.
7. Please contact us if there are any mistakes or ambiguities within this manual.
8. If there are missing or incorrectly collated pages in this manual, contact us to obtain a new manual.

SAFETY SIGNS

that must be strictly observed!

To prevent personal injury or property damage, the following must be strictly observed.

- The degree of possible injury and damage due to incorrect use or improperly following instructions specified is described below.

	WARNING	Indicates a situation which, if not observed and handled properly, could result in death or serious injury.
	CAUTION	Indicates a situation which, if not observed and handled properly, could result in personal injury or property damage.



This is a mark to call attention to the reader.



WARNING

Do not perform the following. If ignored, these may cause damage to the auto-cutter, breakdown, overheating, smoke, fire or electric shock. If the auto-cutter is damaged or breaks down, turn off the power to the printer and remove the power cord from the outlet and then consult your supplier.

- **Do not open the auto-cutter during operation.**
The cutting blade can be very dangerous. Also, this can cause damage.
- **Prevent foreign matter from entering small openings of the auto-cutter**
Inserting your finger or other foreign matter in the small openings of the auto-cutter can be extremely dangerous and can damage the cutter.
- **The user should never install or remove the auto cutter.**



CAUTION

- **Avoid the following conditions to ensure proper operation of the auto-cutter.**
 - The cutting blade can be very dangerous. Also, this can cause damage.
 - Room temperature is less than 5°C or more than 40°C.
 - Humidity is less than 30% or more than 80%.
 - Dusty
 - Direct sunlight
 - Chemicals
 - Vibrations or impacts
- **When cutting media (paper)**
 - Do not operate auto-cutter without loading paper. This can cause damage to the cutter.
 - Use the standard media (paper). Otherwise, problems such as paper jams may occur.
 - Remove any dust or particles from the paper guide and path periodically.
 - When auto-cutter is cleaned, turn off the power to the printer and remove the power cord from the outlet beforehand.
 - Clean the main body of the auto-cutter with a soft cloth that is soaked in a thinned neutral detergent. Do not use volatile solvent such as benzene and thinner, which can cause discoloration.
 - When the cutter blade becomes dirty, contact your supplier or a service representative.

1. Function

The auto-cutter units are designed to cut various media such as labels, tickets and tags precisely and accurately as the setting cut length.

2. Main specifications of auto-cutter

- Cutting method: Guillotine cutter
- Maximum cut paper thickness: 0.25 mm (0.01")
- Minimum cut paper length: 25.4 mm (1")
- Cut paper width: Maximum: 118 mm (4.65")
Minimum: 25.4 mm (1")

- Durability:
Number of cuts: Minimum 300,000 times
(for a paper thickness of 60 to 150 μm)
Minimum 100,000 times
(for a paper thickness of 150 to 250 μm)

Note

- Media with adhesive substance may be excluded from the number of cuts.
- The number of cuts can vary according to the quality of the paper.

- Media and paper types:
Roll or label (continuous, die-cut, fanfold, tag and ticket).
However, the following paper cannot be used:
 - Paper with thickness of 0.06mm (0.0024") or less
 - Roll paper with paper core diameter of 50 mm (2") or less

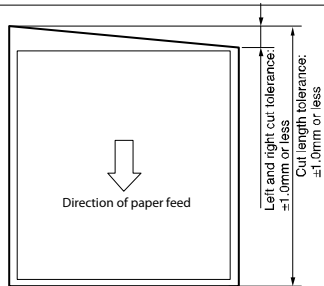
Note Using paper other than the specified types may cause problems such as paper jams, so the paper specification must be checked before use.

- Cut accuracy:
 - Cut length tolerance: ± 1.0 mm or less
 - Left and right cut tolerance: ± 1.0 mm or less

Note Cutting position can be adjusted using printer commands (see page 12).

CAUTION

- When using adhesive media, do not cut labels itself. Adjust the printer to cut the liner only. If label glue sticks to the cutter blades, irregular cutting will occur.



3. Checking items inside the accessory box

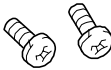
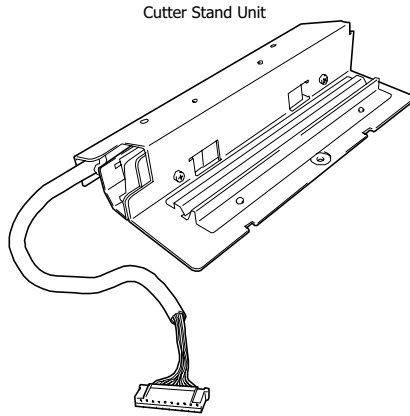
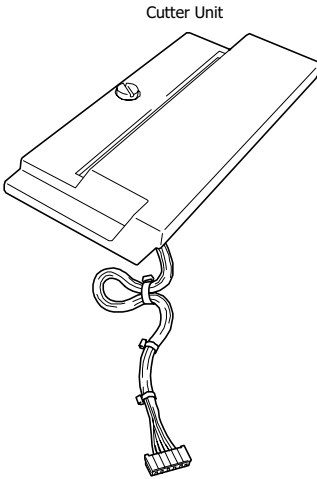
Note Auto-cutter is not available for the printer with the peeler.

You should check that all of the following items are inside the accessory box. If any are missing, please contact your supplier.

Cutter Stand Unit 1 piece

Cutter Unit 1 piece

Screws 2 pieces



Screws (2)

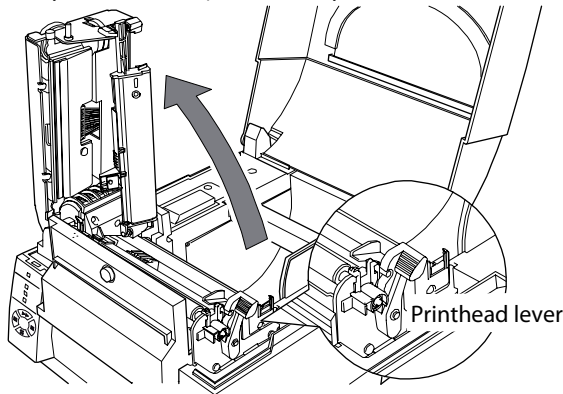
4. Auto-cutter settings

"Cut On" menu will be selected automatically when the auto-cutter is installed; thus, the printer can be used without adjustment. However, some printers may not have the "AutoConfigure" function. In this case, select the "After Print" menu of the menu setup mode, and the "Cut On" menu on the "Function Select" menu. If the printer has the "AutoConfigure" function, the "AutoConfigure" menu will be printed out in front of "Function Select" menu when you print the "Current Setup".

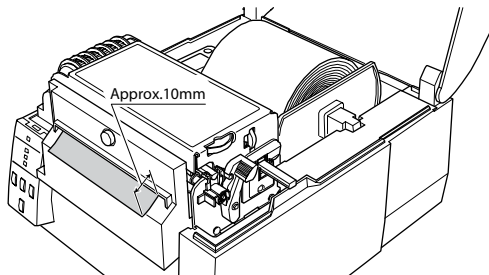
Note See the printer's User's Manual (CD-ROM) for details on "Print Menu Settings".

Loading Media

- (1) Press the printhead lever, and then open the head unit and sensor arm.



- (2) With scissors, cut the end of the media loaded in the media holder.
- (3) Feed the end of the media through the cutter assembly until the end extends 10mm past the cutter cover.
- (4) Close the head unit and sensor arm.



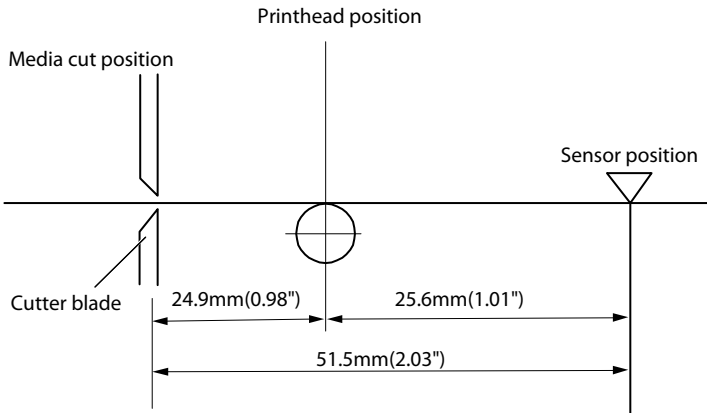
- (5) The cutter will operate one time when the FEED key is pressed.

CAUTION

- When a paper jam has occurred, or when the auto cutter has malfunctioned, your supplier or your service representative.
- Never attempt to repair the auto cutter yourself, it could result in a risk of injury.

5. Cut position

The following diagram gives the distance from the media sensor and the thermal printhead to the cutter blade.



6. Cut settings

The auto-cutter-related commands are described below. See the Command Reference manual for more details.

The following commands set the cut position and number of operations.

Cut-position setup command STX fnnn

This command specifies the distance between the sensor and the media cut position.

Media-cut command STX o

This command executes one media-cut operation.

Software-switch setup command STX Vn

- This command temporarily selects the on/off state of the auto cutter or the peeler, which are normally set in memory.

Examples:

n = 1: The auto cutter is set in the on state

n = 0: The auto cutter is set in the off state

Note

See the Command Reference manual for a detailed description of the parameter n of the command.

Sheet-cutting interval command

cnn (two-digit entry method)

:nnnn (four-digit entry method)

This command instructs the printer to cut the media after a specified number of sheets have been printed.

Example:

To set the sheet-cutting interval to 10 sheets

Two-digit data method

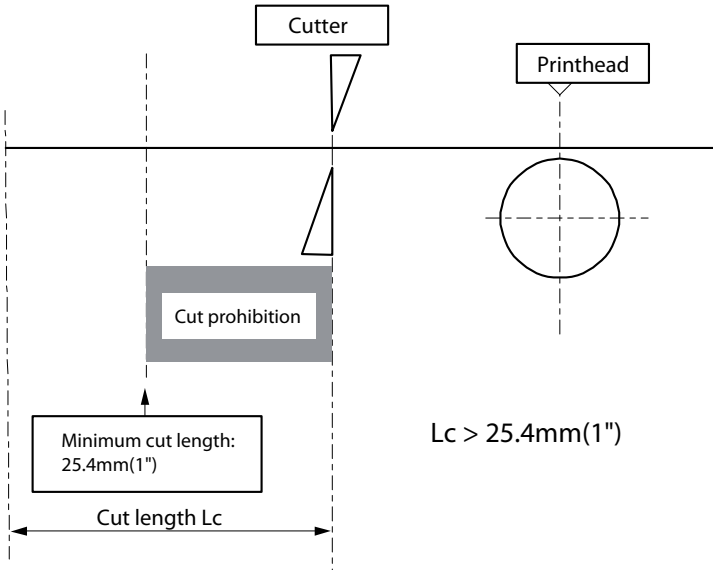
```
STX L
c10
|
(Other label format commands)
E
```

Four-digit data method

```
STX L
:0010
|
(Other label format commands)
E
```

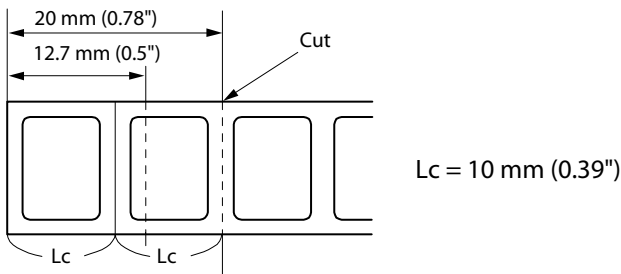
7. Auto cut-length detection

If media with a cut length shorter than the minimum cut length of 25.4mm (1.0 in) is used, the cut media may remain in the cutter unit and cause paper jams. To prevent this, when the printer detects a cut length shorter than the minimum, it feeds the media without operating the cutter. Therefore, use a cut length of 25.4mm (1.0 in) or longer when setting the media cut length.



Note

Media is fed and not cut when its media cut length is 12.7mm (0.5 in) or less. However, if the total length of several labels (for example, two or more) on one label sheet is more than 12.7mm (0.5 in), the media can be cut in intervals of multiple labels (for example, every two or more labels).

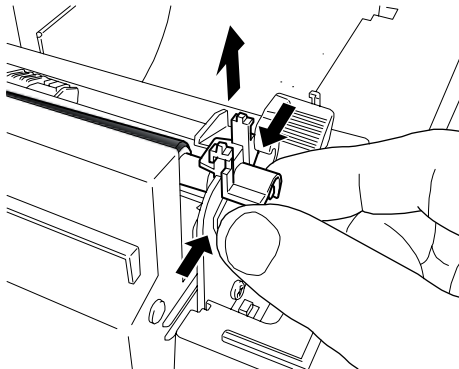


8. User maintenance

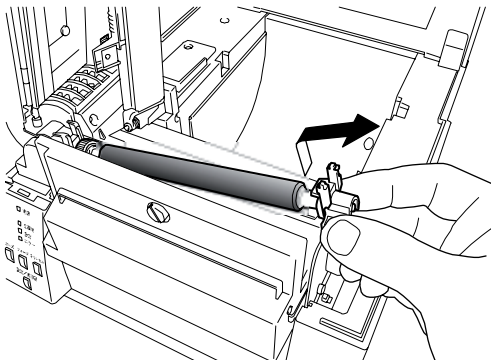
If the platen of the printer becomes dirty, the cutter may perform defective cutting even if the auto cutter does not malfunction. Therefore, clean the platen regularly. (See the printer user's manual)

Remove the platen

- (1) Push the head open lever downwards to open the head unit and sensor arm.
- (2) Grasp the mounting device of the platen and lift it up as shown in the figure.



- (3) Remove the gear side of the platen, and remove the platen while pulling the mounting device of the platen toward you.



- (4) Remove dirt from the platen with a soft cloth or cotton swab containing a small quantity of ethyl alcohol. (See the printer user guide)

9 Troubleshooting

If an error is detected, an alarm will sound and an LED on the control panel will display the nature of the error.

List of error displays

Error	Print LED	Condition LED	Error LED
Media Out (media location cannot be detected)	Off	On Off	On Off
Auto Cutter Abnormality (such as blade jamming)	Off	Off	On
Abnormal auto-cutter temperature	On Off	Off On	Off

CAUTION

Contact your supplier or service representative, if the following conditions are observed.

- The cutter does not cut the media well.
The blade of the cutter may be worn out or covered by a label glue.
- Above error condition is occurred.

DASCOM REPRESENTATIVES

GERMANY

DASCOM Europe GmbH
Heuweg 3
D-89079 Ulm
Deutschland
Tel.: +49 (0) 731 2075 0
Fax: +49 (0) 731 2075 100
www.dascom.com

SINGAPORE

DASCOM AP Pte Ltd
63 Hillview Avenue
#08-22, Lam Soon Industrial Building
Singapore 669569
Phone: +65 6760 8833
Fax: +65 6760 1066
www.dascom.com

AMERICAS

DASCOM Americas Corporation
421 W. Main Street
Waynesboro, VA 22980
USA
Phone: +1 (877) 434 13 77
www.dascom.com

UNITED KINGDOM

DASCOM GB Ltd
ViewPoint, Basing View,
Basingstoke, Hampshire
RG21 4RG, England
Phone: +44 (0) 1256 481481
Fax: +44 (0) 1256 481400
www.dascom.com

FRANCE

DASCOM Europe GmbH
117 Avenue Victor Hugo
92100 Boulogne-Billancourt
France
Phone: +33 (1)73 02 51 98
www.dascom.com

RUSSIA and CIS

DASCOM Europe GmbH
Representation Moscow
Leninsky Prospekt 95a, Office 322
119313 Moscow, Russian Federation
Phone: +7 (495) 984 70 65
Fax: +7 (495) 984 56 42
www.dascom.com

CEE

DASCOM Europe GmbH
Europaring F15 301
2345 Brunn a. G.
Austria
Phone: +43 (1) 236 01 70 10
www.dascom.com