

DP-330/330L



Quick Start Guide

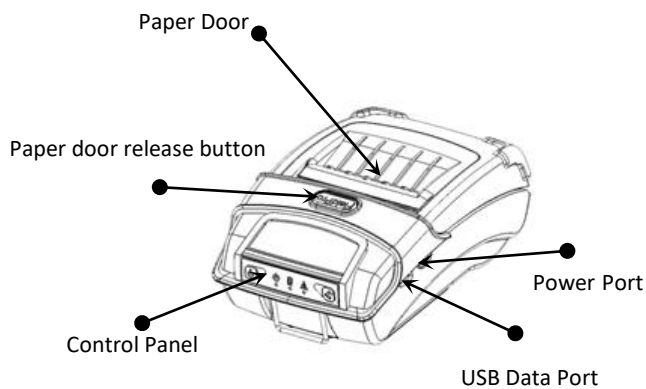
This guide provides information on the daily use of the DP-330/330L printer. For additional information, please refer to the DP-330/330L User Guide.

Before you begin, please visit <https://www.dascom.com/downloads.html> Printing Solutions; Download Centre, to download the according printer driver.

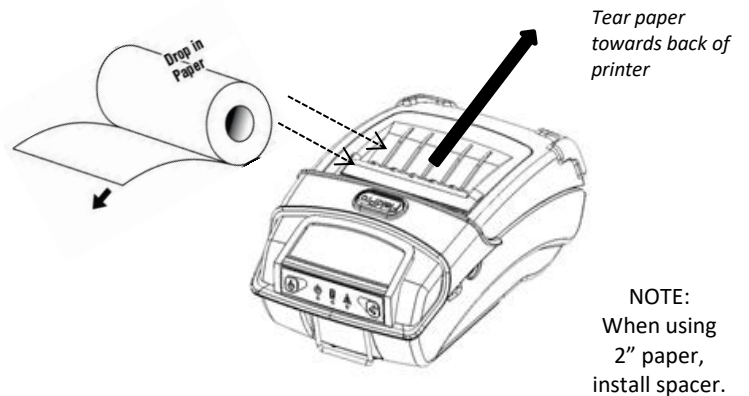


Download Center

Printer features



Media



Press Paper door release button to open the paper compartment door. Pull small leader of paper out and close paper door. "Clicks" when properly closed.

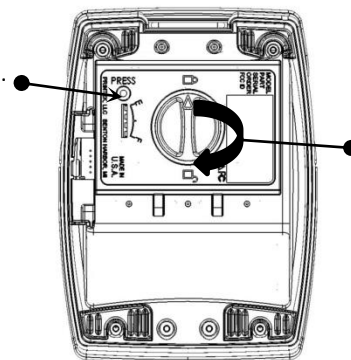
Performing a Printer Self-Test



With power on, press the paper feed button for three seconds.

Battery

Press button to see battery charge level.
4LED 100% charge
3LED 75%
2LED 50%
1LED 25%



Loosen hand strap (not pictured) to access battery door.

Rotate knob 180° to unlock battery door.

Drop in battery.




Close battery door and rotate knob 180° to lock.

Disposal

Please dispose the batteries separately and free of cost at your sales agency or the designated local collecting points. Therefore please consider the national recycling standards! Disassembly and removal of the batteries are described in the User Guide.

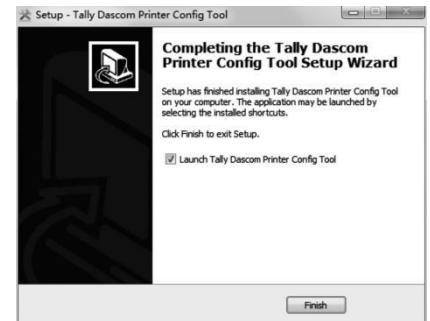
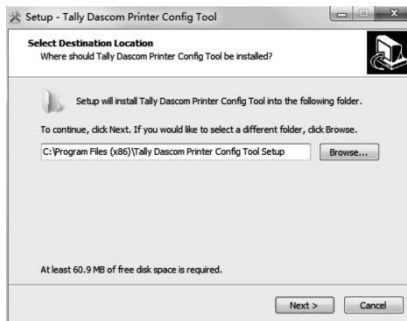
DP-330/330L Quick Start Guide

Control Panel indicators

Status	Power light 	Charge light 	Caution light 	Buzz
Buffer has data	Green light-twinkle	Change according to power		
Buffer is empty	Green light-on			
Standby	Change according to the Buffer status		Off	/
Setting mode (Config tools mode)	Orange light-on		Off	/
Open cover/paper out	Change according to the Buffer status		Red light-on	Buzz/ 2 seconds
Paper on the peeler			Orange light-on	/
Black mark/label position is error			Red light-twinkle	/
Print head is overheating			Green light-breathing light	/
Print head is ultracold temperature	Red light is on		Green light-breathing light	/
EEPROM is error	Red light is on		Red light-on	/
Battery power read error	Change according to the Buffer status	Off	Green light-on	/
Power saving mode	Green light-breathing light	Off	Off	/
Download mode	At the same time, the three lights green-red alternating cycle flicker: Green-red-green-red.			/
Loading	At the same time, the three lights flicker with orange color.			/

Install the Config Tool

1. Download the latest setup tool "Config Tool" from official website .
2. Click "next", enter installation interface.
3. When the progress bar is full, the right picture will be shown, click "Finish" to complete the installation.



Dascom Representatives

Americas	Dascom Americas LLC	34 Lakeview Court	Verona, VA 24482, USA	Phone: +1 (877) 434 1377
UK	DASCOM GB Ltd	Hart House, Priestley Road	Basingstoke, Hampshire, RG24 9PU	Phone: +44 (0) 1256 355130
Germany	DASCOM Europe GmbH	Heuweg 3	D-89079 Ulm	Phone: +49 (0) 731 2075 0
France	DASCOM Europe GmbH	117 Avenue Victor Hugo	92100 Boulogne-Billancourt	Phone: +33 (1)73 02 51 98
Singapore (AP)	DASCOM AP Pte Ltd	2 Jurong East Street 21	#05-42, IMM Building, Singapore 609601	Phone: +65 6760 8833