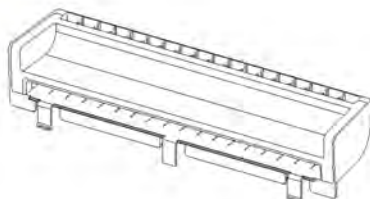
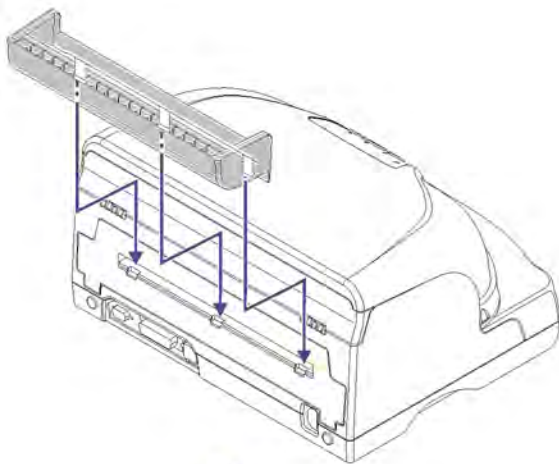


Rear Paper Guide:



**1**



**2**

